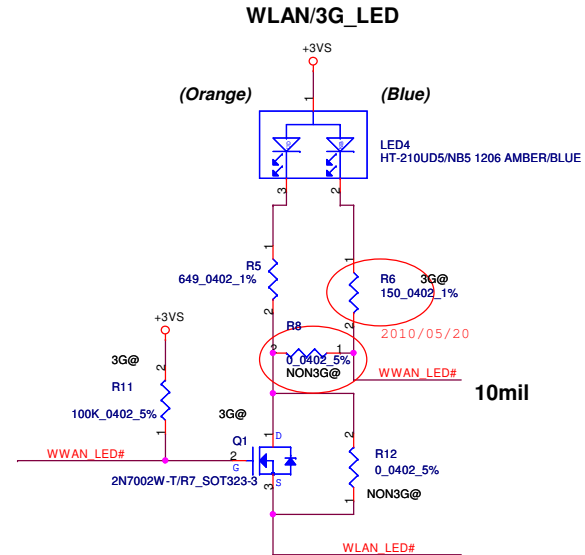
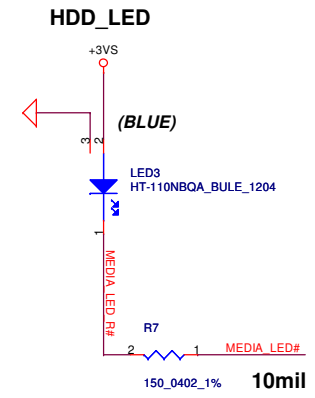
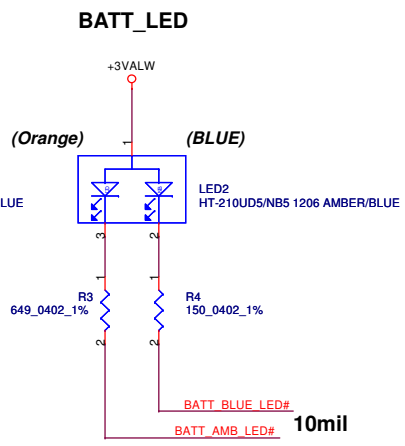
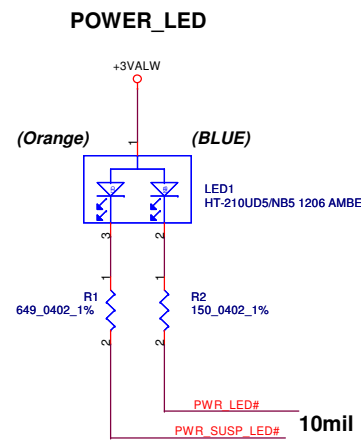


2010/10/11 Change R1,R3,R5 from 300 ohm 5% to 649 ohm 1%  
 Change R2,R4,R6,R7 from 100 ohm 1% to 150 ohm 1%



|   |                  |                              |            |                          |  |
|---|------------------|------------------------------|------------|--------------------------|--|
| Security Classification   |                  | Compal Secret Data           |            | Compal Electronics, Inc. |  |
| Issued Date   | 2010/08/12       | Deciphered Date              | 2012/08/12 | Title                    |  |
| THIS SHEET OF ENGINEERING DRAWING IS THE PROPRIETARY PROPERTY OF COMPAL ELECTRONICS, INC. AND CONTAINS CONFIDENTIAL AND TRADE SECRET INFORMATION. THIS SHEET MAY NOT BE TRANSFERRED FROM THE CUSTODY OF THE COMPETENT DIVISION OF R&D DEPARTMENT EXCEPT AS AUTHORIZED BY COMPAL ELECTRONICS, INC. NEITHER THIS SHEET NOR THE INFORMATION IT CONTAINS MAY BE USED BY OR DISCLOSED TO ANY THIRD PARTY WITHOUT PRIOR WRITTEN CONSENT OF COMPAL ELECTRONICS, INC. |                  |                              |            | LED                      |  |
| Size  | Document Number  | Date                         |            | Rev                      |  |
| Custom  | P0VE6 Schematics | Wednesday, November 03, 2010 |            | 1 of 1                   |  |
| Date  |                  |                              |            | Sheet                    |  |